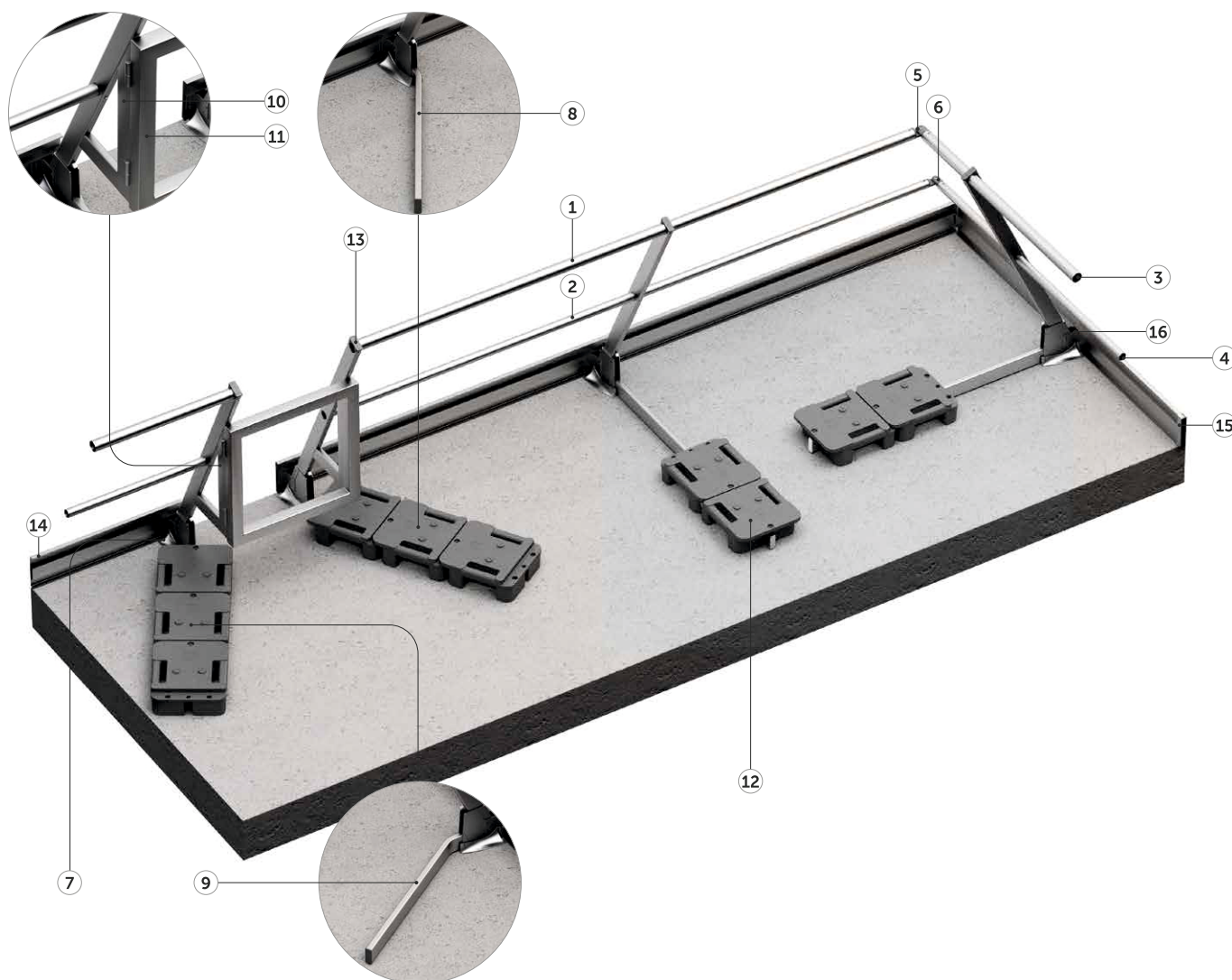


CODE	description
1	RBGBAR45 Ø45 mm handrail with flush-mounted ring nuts L = 3000 mm
2	RBGBAR35 Ø35 intermediate rail with flush-mounted ring nuts L = 3000 mm
3	RBGCAP45 cap for handrail Ø45 mm
4	RBGCAP35 cap for intermediate rail Ø35 mm
5	RBGCOR45 angle bracket for handrail Ø45 mm
6	RBGCOR35 angle bracket for intermediate rail Ø35 mm
5-6	RBGCORAL aluminium angle bracket for handrail and intermediate rail (alternative to RBGCOR45/ RBGCOR35)
7	RBGBASEW base for self-supporting GUARD W straight with support leg
8	RBGBASEWE locking wedge for GUARD W
9	RBGWEIGHT plastic counterweight 12,5 kg for GUARD W
10	RBGSUP110 straight upright H = 1105 mm groove Ø45 mm
	RBGSUP118 straight upright H = 1182 mm groove Ø45 mm

CODE	description
11	RBGCAP upright cap 68 x 28 mm groove Ø45 mm
12	RBGSCR4816 stainless steel self-drilling screw 4,8 x 16 mm
13	RBGSCR4825 stainless steel self-drilling screw 4,8 x 25 mm
14	RBGSCR4850 stainless steel self-drilling screw 4,8 x 50 mm
15	RBGTB toe board 3000 x 150 x 19 mm
16	RBGTBCAP cap for toe board H = 150 mm
17	RBGTBJUN straight connector toe board H = 150 mm
18	RBGTBCOR angle bracket for toe board H = 150 mm
19	RBGTBH support for toe board H = 150 mm
For wall fastening:	
	RBGWALL45 end element for handrail Ø45 mm
	RBGWALL35 end element for round intermediate rail Ø35 mm
	RBGWALLAL aluminium end element for handrail and intermediate rail

SELF-SUPPORTING INCLINED RAILING

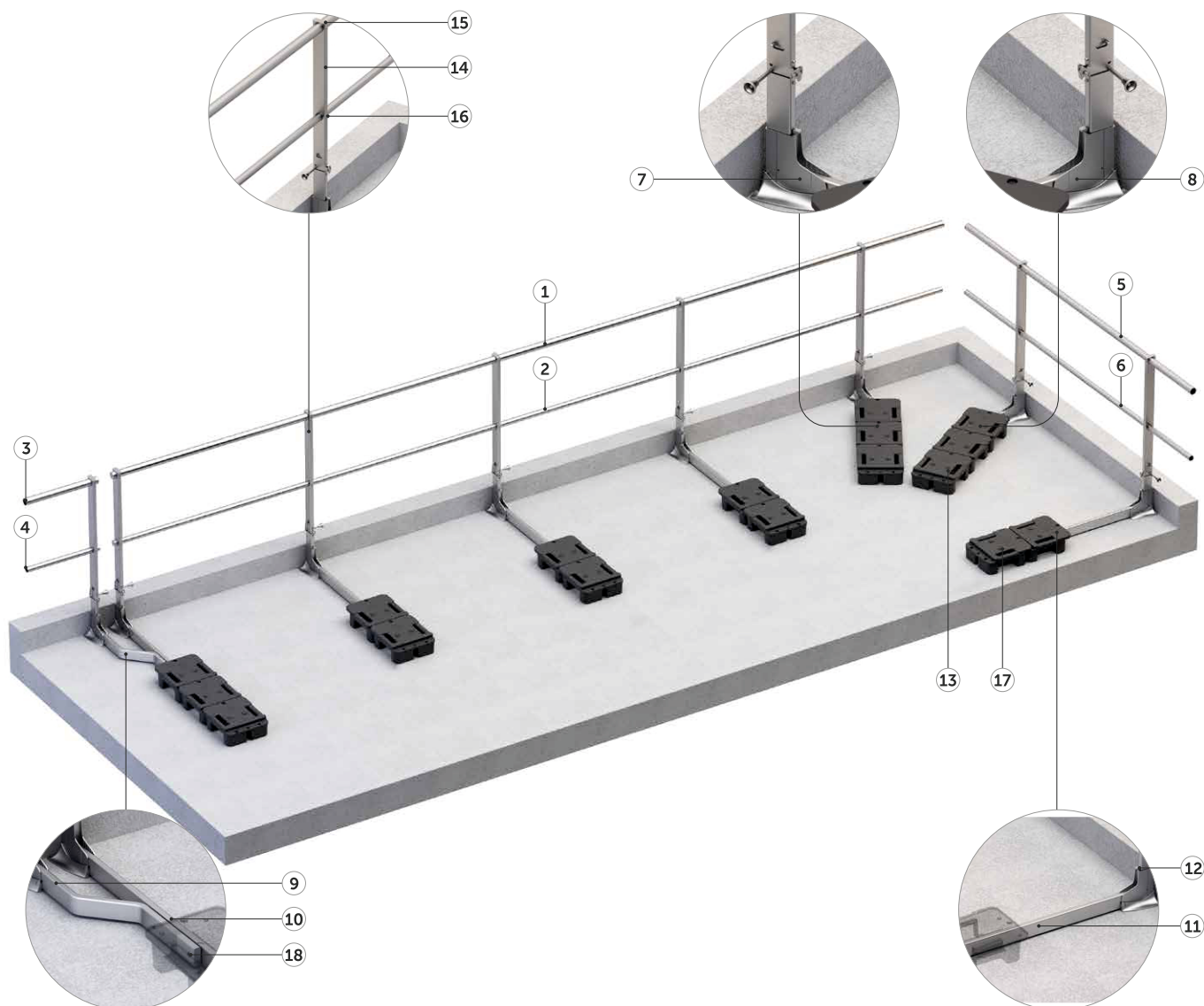


CODE	description
1 RBGBAR45	Ø45 mm handrail with flush-mounted ring nuts L = 3000 mm
2 RBGBAR35	Ø35 intermediate rail with flush-mounted ring nuts L = 3000 mm
3 RBGCAP45	cap for handrail Ø45 mm
4 RBGCAP35	cap for intermediate rail Ø35 mm
5 RBGCOR45	angle bracket for handrail Ø45 mm
6 RBGCOR35	angle bracket for intermediate rail Ø35 mm
5-6 RBGCORAL	aluminium angle bracket for handrail and intermediate rail (alternative to RBGCOR45/ RBGCOR35)
7 RBGBASEWI	base for self-supporting GUARD W inclined with support leg
8 RBGBASEWIFCR NEW	support leg for 25° right-hand bend inclined strut
9 RBGBASEWIFCL NEW	support leg for 25° left-hand bend inclined strut
10 RBGGATEWISUP NEW	support for inclined strut gate

CODE	description
RBGGATE600	safety door 500 mm height with hinges assembled, L = 600 mm
11 RBGGATE1100	safety door 500 mm height with hinges width, L = 1100 mm
12 RBGWEIGHT	plastic counterweight 12,5 kg for GUARD W
CODE	description
13 RBGCAP	upright cap 68 x 28 mm groove Ø45 mm
14 RBGTB	toe board 3000 x 150 x 19 mm
15 RBGTBCAP	cap for toe board H = 150 mm
16 RBGTBH	support for toe board H = 150 mm
For wall fastening:	
RBGWALL45	end element for handrail Ø45 mm
RBGWALL35	end element for round intermediate rail Ø35 mm
RBGWALLAL	aluminium end element for handrail and intermediate rail

GUARD W folding system

FOLDING SELF-SUPPORTING RAILING



CODE	description
1 RBGBAR45	Ø45 mm handrail with flush-mounted ring nuts L = 3000 mm
2 RBGBAR35	Ø35 intermediate rail with flush-mounted ring nuts L = 3000 mm
5 RBGBAR45F	handrail without flush-mounted ring nuts Ø45 mm L = 3000 mm
6 RBGBAR35F	intermediate rail without flush-mounted ring nuts Ø35 mm L = 3000 mm
3 RBGCAP45	cap for handrail Ø45 mm
4 RBGCAP35	cap for intermediate rail Ø35 mm
7 RBGBASEWFRC	support leg for 25° right-hand bend inclined strut
8 RBGBASEWFCL	support leg for 25° left-hand bend inclined strut
9 RBGBASEWFL	shank with curve at left for folding railing
10 RBGBASEWF	base for self-supporting GUARD W with holes
11 RBGBASEW	base for self-supporting GUARD W straight with support leg
12 RBGBASEWE	locking wedge for GUARD W

CODE	description
13 RBGWEIGHT	plastic counterweight 12,5 kg for GUARD W
RBGSUP100F	pull-down upright H = 1010 mm groove Ø45 mm
14 RBGSUP110F	pull-down upright H = 1105 mm groove Ø45 mm
CODE	description
15 RBGCAP	upright cap 68 x 28 mm groove Ø45 mm
16 RBGSCR4825	stainless steel self-drilling screw 4,8 x 25 mm
17 RBGSCR4850	stainless steel self-drilling screw 4,8 x 50 mm
18 RBGBASEWFKIT	NEW GUARD W - F fastening kit

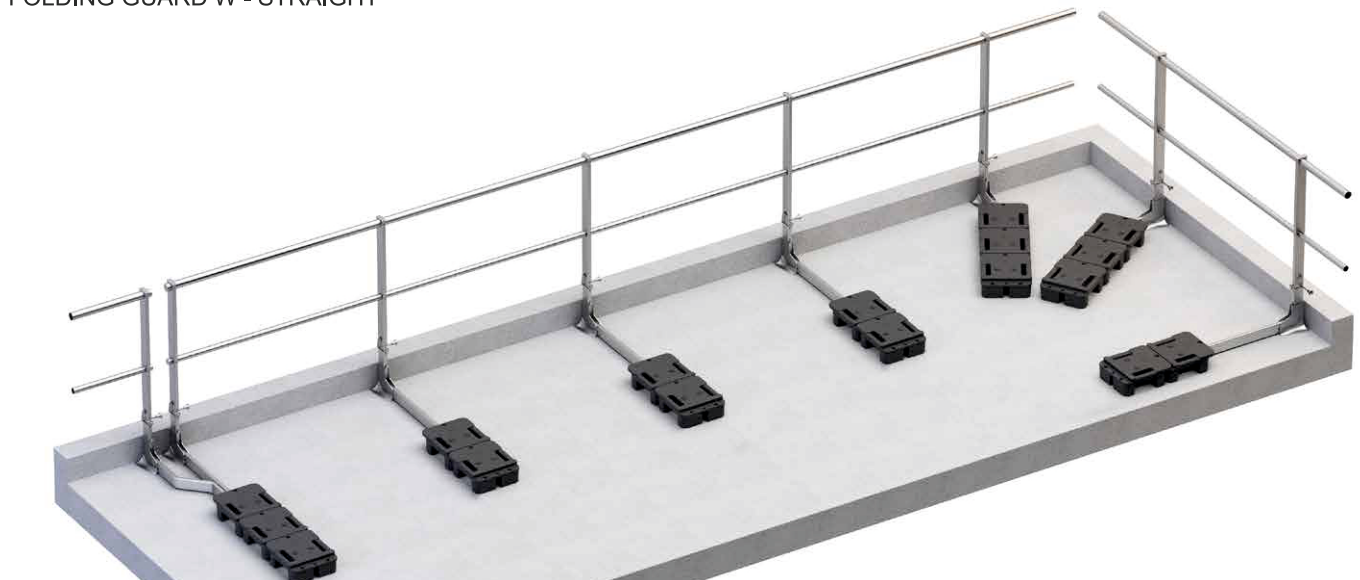
For wall fastening:

RBGWALL45	end element for handrail Ø45 mm
RBGWALL35	end element for round intermediate rail Ø35 mm
RBGWALLAL	aluminium end element for handrail and intermediate rail

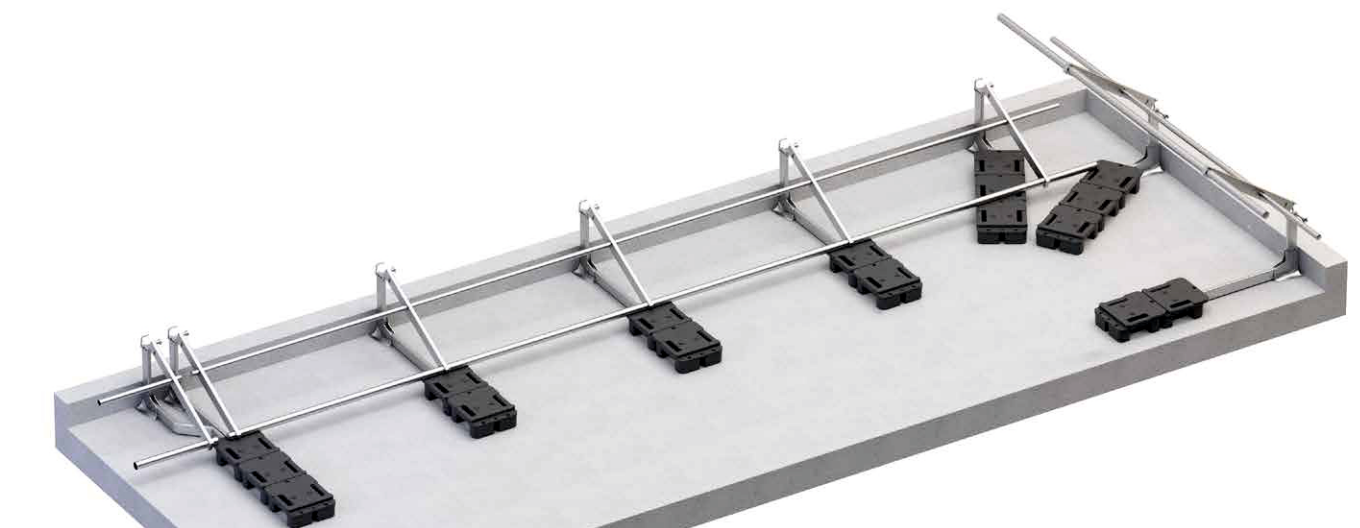
GUARD W folding system

The GUARD folding railing consists of modules with variable lengths of 6, 12 or 18 m. Beyond 12 m, at least two operators are required to change the railing inclination. Refer to the Installation Manual for more information.

FOLDING GUARD W - STRAIGHT



FOLDING GUARD W - 6 m LOWERED MODULE AND OTHERS FOLDED IN HALF



FOLDING GUARD W - ALL FOLDED MODULES

